

Furniture

Wardrobes, sideboards, bedside cabinets and room solutions in detail

.bock[®] *///*



Furnishings for living spaces

About us	2
Wardrobes	4
Sideboards	8
Bedside cabinets	12
Room solutions	16
Nurse duty room	18
Medicine cabinets	20
Ward wagon	21
Workplaces	22
Kitchens	23

Tradition in artisanery

For more than 90 years the Hermann Bock GmbH is successful with innovative furniture and care systems. At our plant in Verl 120 employees are working on development, enhancement and products of our beds and furniture concepts. Also custom-made products are realized in our plant.





With our furnishings we do not only create rooms for living but living spaces.

Predominately our interior concepts are designed to fulfil the needs of the elderly and people needing nursing care. We feel that we only have succeeded in creating a living space when a person feels protected, supported. When the need for individuality, communication and mobility have been implemented practically and in a homely setting.

As a co-operation partner we support architects, constructors as well as investors and operators straight from the beginning. Already in the planning phase of new or reconstructions we give qualified, extensive and budget orientated advise.

You want to receive more information? We are available for you on the phone, by fax or e-mail and personally. Our dedicated sales team looks forward to hearing from you!



Wardrobes

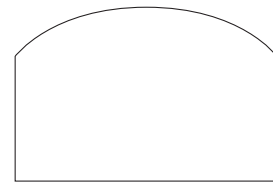
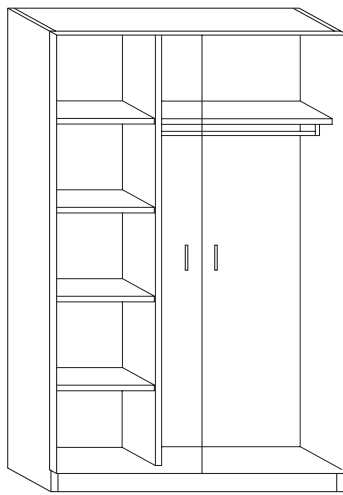
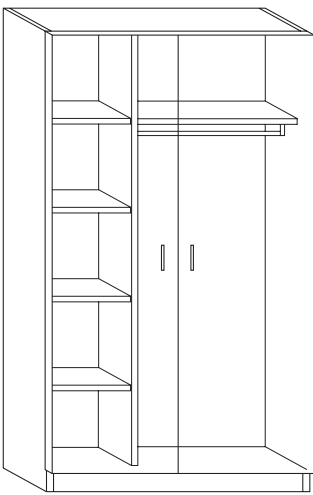
Shapes and details in harmony

For many years, Hermann Bock GmbH has been successfully designing and developing furniture for people. With every product, we aim to create a connection between the individual needs in the field of activity, practical requirements and health. This philosophy is reflected in the detail of every individual piece of furniture right up to complete interior furnishings.

We combine comprehensive technical know-how in cooperation with experts and modern research results to make healthy furniture of the highest quality with unique functionality. Our versatile range of furniture orientates itself to the approach of modern furnishing and offers a variety of outfitting concepts and furnishing items for every project and every budget.



Wardrobes - variations



Wardrobe

with 2 swing doors,
1/3 linen area with 4 shelves,
2/3 clothes area with 1 hat shelf and
1 clothes rail (oval tube)
Versions*

Model 1010

Width: 100 cm
Height: 195 cm
Depth: 60 cm

Wardrobe

with 2 swing doors,
1/3 linen area with 4 shelves,
2/3 clothes area with 1 hat shelf and
1 clothes rail (oval tube)
Versions*

Model 1010 (Version 120 cm)

Width: 120 cm
Height: 195 cm
Depth: 60 cm

Rounded top side

available with or without lighting

Model 108

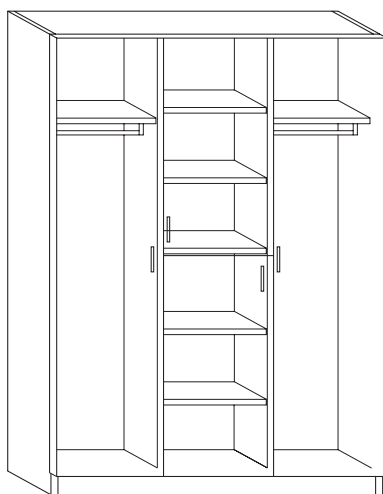
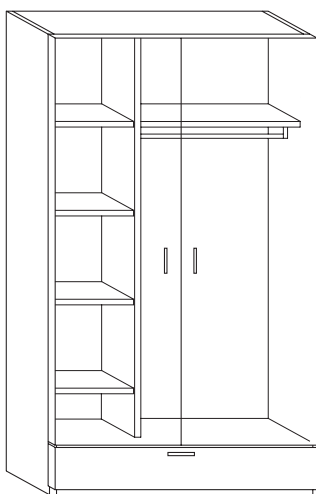
dimensions according to cupboard model

*Versions:

- 170° hinges
- Shelf and side thickness: 19 mm,
- Rear wall: Veneered both sides, 8 mm thick
- Other sizes can be supplied upon request
- Body and front with 2 mm plastic edge
- Interior in white

Additional models on the following pages

Wardrobes - variations



Extras

- Swivel rod cylinder lock
- Lockable drawer for valuables
- Shoe rack
- Clothes lift (fold-out clothes rail)
- Top side with or without lighting
- Shelf with mirror
- Wardrobe attachment
- Individual interior fittings

Wardrobe

with 2 swing doors and socket drawer,
1/3 linen area with 4 shelves,
2/3 clothes area with 1 hat shelf and
1 clothes rail (oval tube)
versions*

Model 1015

Width: 100 cm
Height: 195 cm
Depth: 60 cm

Wardrobe tripartite

with 4 swing doors,
1 swing door right and left with 1 hat
shelf and 1 clothes rail (oval tube)
behind each, 2 central swing doors with
2 shelves behind each
versions*

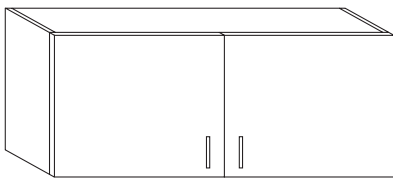
Model 1020

Width: 150 cm
Height: 195 cm
Depth: 60 cm

*Versions:

- 170° hinges
- Shelf and side thickness: 19 mm,
- Rear wall: Veneered both sides, 8 mm thick
- Other sizes can be supplied upon request
- Body and front with 2 mm plastic edge
- Interior in white





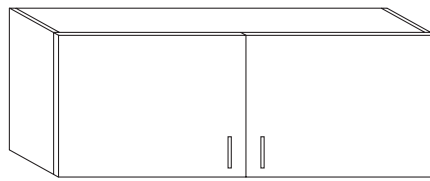
Wardrobes attachment

with 2 swing doors

Versions*

Model 1050

Width: 100 cm
Height: 50 cm
Depth: 60 cm



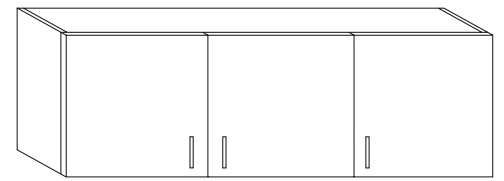
Wardrobes attachment

with 2 swing doors

Versions*

Model 1050 (Version 120 cm)

Width: 120 cm
Height: 50 cm
Depth: 60 cm



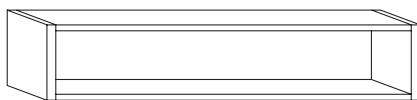
Wardrobes attachment

with 3 swing doors

Versions*

Model 1055

Width: 150 cm
Height: 50 cm
Depth: 60 cm



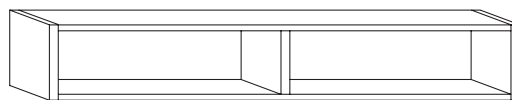
Wall shelf

closed at the rear and at the sides

Versions*

Model 1450

Width: 100 cm
Height: 30 cm
Depth: 25 cm



Wall shelf

closed at the rear and at the sides,

with central divider

Versions*

Model 1455

Width: 150 cm
Height: 30 cm
Depth: 25 cm



Sideboards

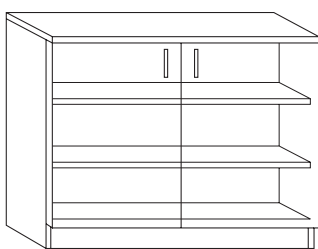
Practical elegance

Elegant sideboards with versatile and practical interior designs make ideal supplements to every furnishing concept. They offer space for decoration, create a homely atmosphere and are indispensable for practical requirements. A modern production ensures the highest durable quality with respect to the protection of health and environment.

Every type of furniture is based on a requirement profile, which unites the knowledge gained from many years as interior furnishers and the results of modern scientific research. The results of this are sideboards and highboards with incomparably variable functionality, which can be adapted to all types of requirements and enable consistent furnishing in keeping with the overall appearance.



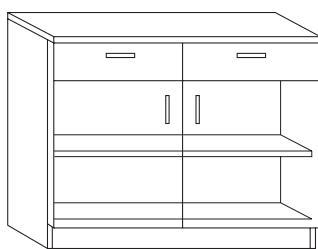
Sideboards - variations



Sideboard, divided into two
one swing door right and left
with 2 shelves behind them
Version*

Model 1110

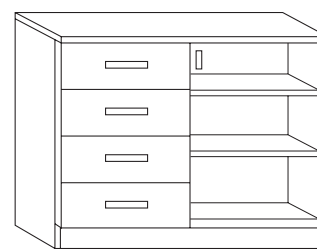
Width: 100 cm
Height: 85 cm
Depth: 40 cm



Sideboard, divided into two
one drawer right and left
and one swing door
with 1 shelf behind it
Version*

Model 1111

Width: 100 cm
Height: 85 cm
Depth: 40 cm



Sideboard, divided into two
4 drawers to the left,
1 swing door to the right
with 2 shelves behind it
Version*

Model 1115

Width: 100 cm
Height: 85 cm
Depth: 40 cm

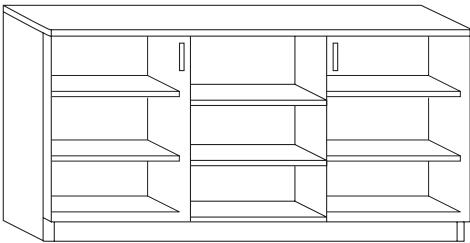
Extras

Swivel rod cylinder lock
Lockable drawers
Rounded top side
Turntable
170° hinges

*Versions:

110° hinges
Shelf and side thickness: 19 mm,
Rear wall: Veneered both sides, 8 mm thick
Other sizes can be supplied upon request
• Body and front with 2 mm plastic edge
• Interior white

Sideboards - variations



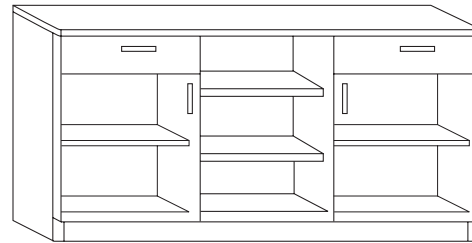
Sideboard, divided into three

centre open with 2 shelves,
1 swing door right and left
with 2 shelves behind them

Versions*

Model 1120

Width: 150 cm
Height: 85 cm
Depth: 40 cm



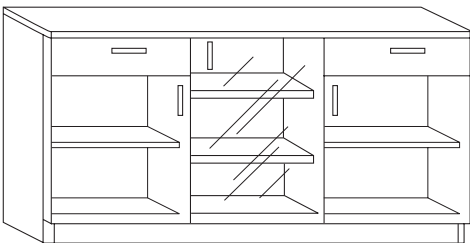
Sideboard, divided into three

centre open with 2 shelves,
1 drawer and 1 swing door right and left
with 1 shelf behind them

Versions*

Model 1121

Width: 150 cm
Height: 85 cm
Depth: 40 cm



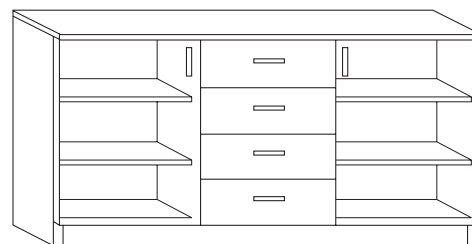
Sideboard, divided into three

1 central glass door with 2 shelves behind it,
1 drawer and 1 swing door right and left

Versions*

Model 1122

Width: 150 cm
Height: 85 cm
Depth: 40 cm



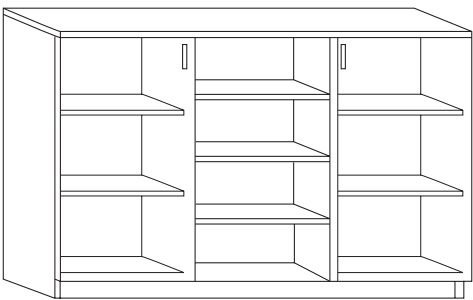
Sideboard, divided into three

4 central drawers, 1 swing door right and left
with 2 shelves behind each

Versions*

Model 1125

Width: 150 cm
Height: 85 cm
Depth: 40 cm



Highboard, divided into three

centre open with 3 shelves, 1 swing door right and left, with 2 shelves behind them

Versions*

Model 1150

Width: 150 cm
Height: 120 cm
Depth: 40 cm



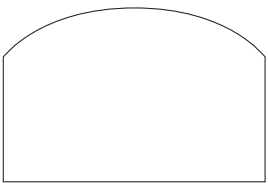
Highboard, divided into three

5 central drawers, 1 swing door right and left, with 2 shelves behind them

Versions*

Model 1155

Width: 150 cm
Height: 120 cm
Depth: 40 cm



Rounded top side

without lighting

Model 118

Dimensions according to sideboard model

Extras

- Swivel rod cylinder lock
- Lockable drawers
- Rounded top side
- Turntable
- 170° hinges

***Versions:**

- 110° hinges
- Shelf and side thickness: 19 mm,
- Rear wall: Veneered both sides, 8 mm thick
- Other sizes can be supplied upon request
- Body and front with 2 mm plastic edge
- Interior white



Bedside cabinets

Always at the service of the patient

Bock bedside cabinets distinguish themselves through high quality, a wealth of functional ideas and homely design. The various models offer functions to assist you with the care of patients in your institution. Upon request we can naturally also supply special solutions such as the installation of refrigerators, railings or special sizes.



Standard 1300

- basic version in Thermopal F37/009 beech
- corpus with 2 mm ABS border
- with drawer
- open compartment
- with door and one shelf
- closed rear
- double castors 50 mm, 2 with brakes
- handels nickel-plated



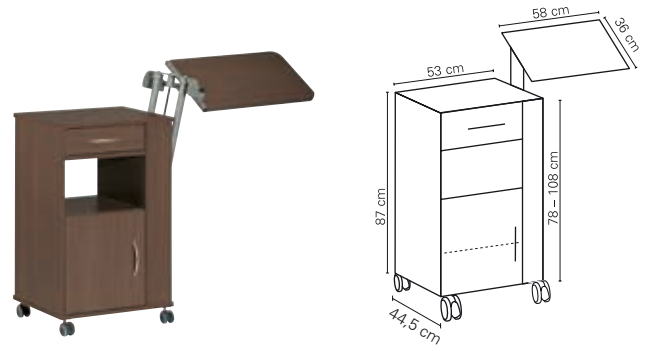
Standard 1301

- +/- basic version in Thermopal F37/009 beech
- with drawer
- open compartment
- with drawer and deep drawer
- closed rear
- double castors 50 mm, 2 with brakes
- handels nickel-plated



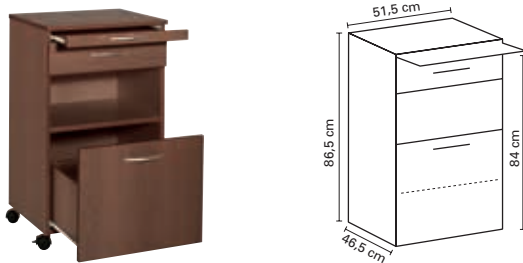
perfekta 300

- basic version in Thermopal F37/009 beech
- corpus with 2 mm ABS border
- drawer usable on both sides
- open compartment
- double castors 50 mm with brakes
- handels nickel-plated
- intergrated tray with supported lift



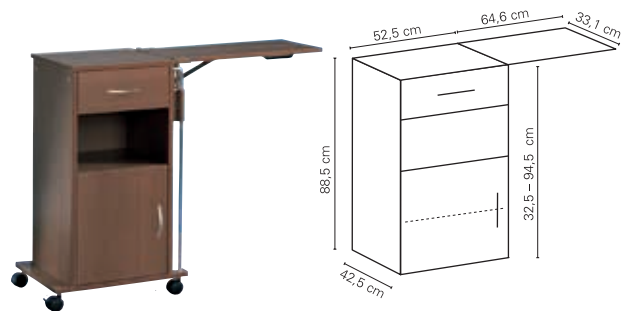
verona 310

- integrated tray with supported lift, height adjustable
- drawer usable on both sides
- open compartment
- two sides operable revolving doors
- wooden tray



Standard 1302

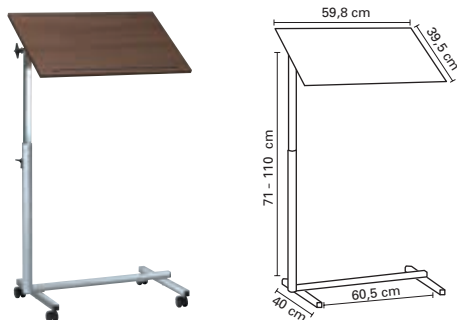
- basic version in Thermopal F37/009 beech
- corpus with 2 mm ABS border
- shelf board
- with drawer
- open compartment
- closed rear
- double castors 50 mm, 2 with brakes
- handels nickel-plated



domiflex 300

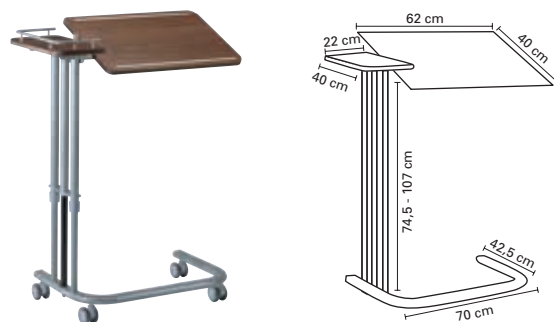
- basic version in Thermopal F37/009 beech
- corpus with 2 mm ABS border
- with drawer
- open compartment
- with door
- closed rear
- with double castors 50 mm
- handels nickel-plated
- tray attachable on the right and left side

Bedside cabinets



Small server

- basic version in Thermopal F37/009 beech
- with double castors 50 mm with brakes
- continuously adjustable
- swiveling tray



Server 300

- basic version in Thermopal F37/009 beech
- with castors 65 mm with brakes
- continuously adjustable
- tray with fixed deposit
- swiveling compact tray



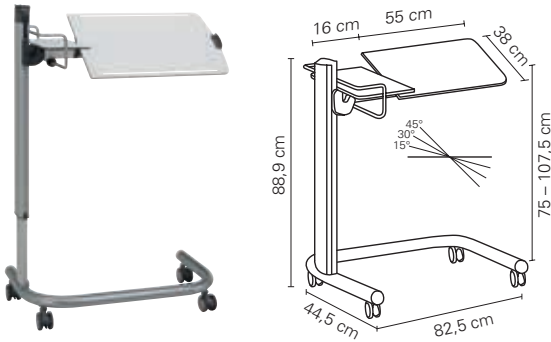
aluna 340 with doors

- basic version in Thermopal F37/009 beech
- corpus with 2 mm ABS border
- drawer with pull-out protection and back sliding guides
- open compartment
- shelf with doors and 1/2 movable basement
- 75 mm double steering castors
- handels nickel-plated
- bedside cabinet operable on both sides



aluna 340 with deep drawer

- basic version in Thermopal F37/009 beech
- corpus with 2 mm ABS border
- with drawer
- open compartment
- 75 mm double steering castors
- handels nickel-plated
- bedside cabinet operable on both sides

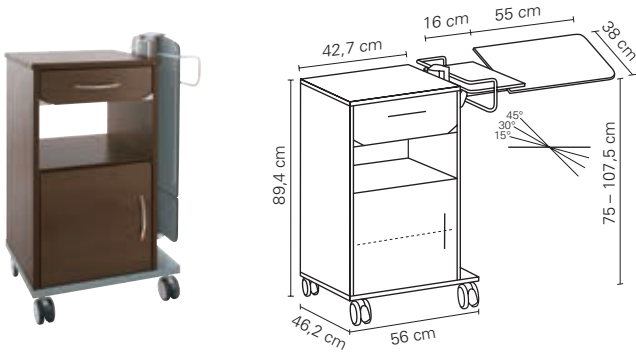


aluna server 351

- tray and insertion profile in aluminium
- oval C profile tube, 75 mm double steering castors
- foldable tray system with assisted lift integrated
- tray with fixed deposit, swiveling compact tray and stopping bars
- tray with automatic trigger, height adjustable with pneumatic spring
- with multi functional bar

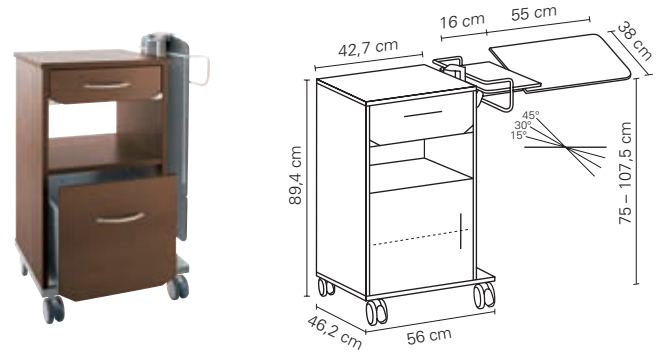
aluna server 350

- with insertable tray system



aluna 330 with server and doors

- basic version in Thermopal F37/009 beech
- corpus with 2 mm ABS border
- drawer operable on both sides, with pull-out protection and back sliding guides
- open compartment
- shelf with doors on both sides and 1/2 movable basemente
- 75 mm double steering castors
- handels nickel-plated
- bedside cabinet operable on both sides
- sidewise tray with fixed deposit and swiveling table
- tray with automatic release, height adjustable with pneumatic spring
- assisted lift integrated
- with multi functional bar



aluna 330 with server and deep drawer

- basic version in Thermopal F37/009 beech
- corpus with 2 mm ABS border
- drawer operable on both sides, with pull-out protection and back sliding guides
- open compartment
- deep drawer with pull-out protection and back sliding guides
- 75 mm double steering castors
- handels nickel-plated
- bedside cabinet operable on both sides
- foldable tray with assisted lift integrated
- tray with automatic release, height adjustable with pneumatic spring
- assisted lift integrated
- with multi functional bar

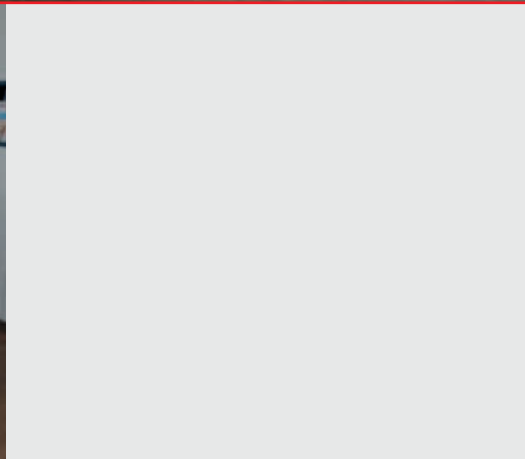
Room solutions

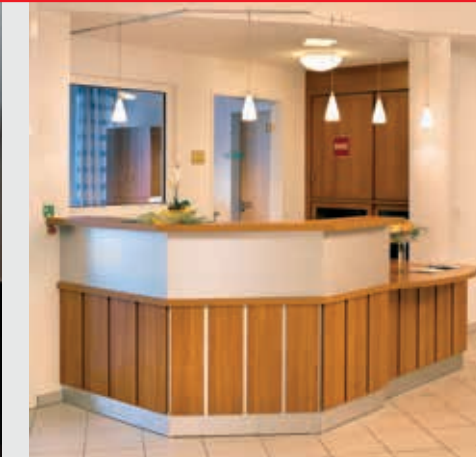
So that the first impression is the right one

Naturally the professionals from Hermann Bock GmbH also realize unusual wishes, in order to put your furnishing concept into practice. Inviting receptions, optimally-equipped ward kitchens and practically-equipped nurses' rooms with individual floor plans offer optimum working conditions for staff and

homely surroundings for patients. We create practical detailed solutions, tailored to your needs, with the highest manufacturing quality in all of our furniture.

A few examples of our comprehensive room solutions are shown on the following pages.





Nursing duty rooms

Optimum surroundings for staff

The daily dealings with people requiring care demand optimum working conditions for the staff. Lockable medicine cabinets, medicine refrigerators, integrated workplaces and other practical details, for example, are tailored to special needs.





Medicine cabinets

The correct storage of medicines is not always easy – some medicines must be kept cool and dry, they must be able to be found quickly, but they must also be protected against unauthorised access. Bock offers various solutions for the storage of medicines– from chemist's shelves and integrated refrigerators to pullout trays.



Ward wagon

A ward wagon is a practical assistant for the care staff. With the Bock ward wagon, it is no longer difficult to always be on hand for the patients and still be able to fulfil care and organisational tasks. Let us advise you about the various models.



Workplaces

Intelligent detail solutions and ambitious designs assist the staff in the organisational work of everyday care.



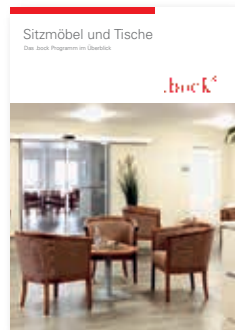
Kitchens

Even for complicated floor plans, Hermann Bock creates ward kitchens in perfect finishes down to the last detail, equipped with high-quality built-in appliances, and with décor, surfaces and handles of your choice.





Interior furnishing beds
 Item no.: 890.01689 (German)
 Item no.: 890.01690 (English)
 Item no.: 890.01691 (French)
 Item no.: 890.01705 (Italian)



Tables, Chairs

Item no.: 890.01588 (German)
 Item no.: 890.01648 (English)
 Item no.: 890.01649 (French)



**semplice and savona –
 Living is a matter of trust**

Item no.: 890.01822 (German)

.bock[®]///

Hermann Bock GmbH
 Nickelstraße 12
 33415 Verl, Germany
 Phone: +49 5246.9205.0
 Fax: +49 5246.9205.25
 Internet: www.bock.net
 E-Mail: info@bock.net